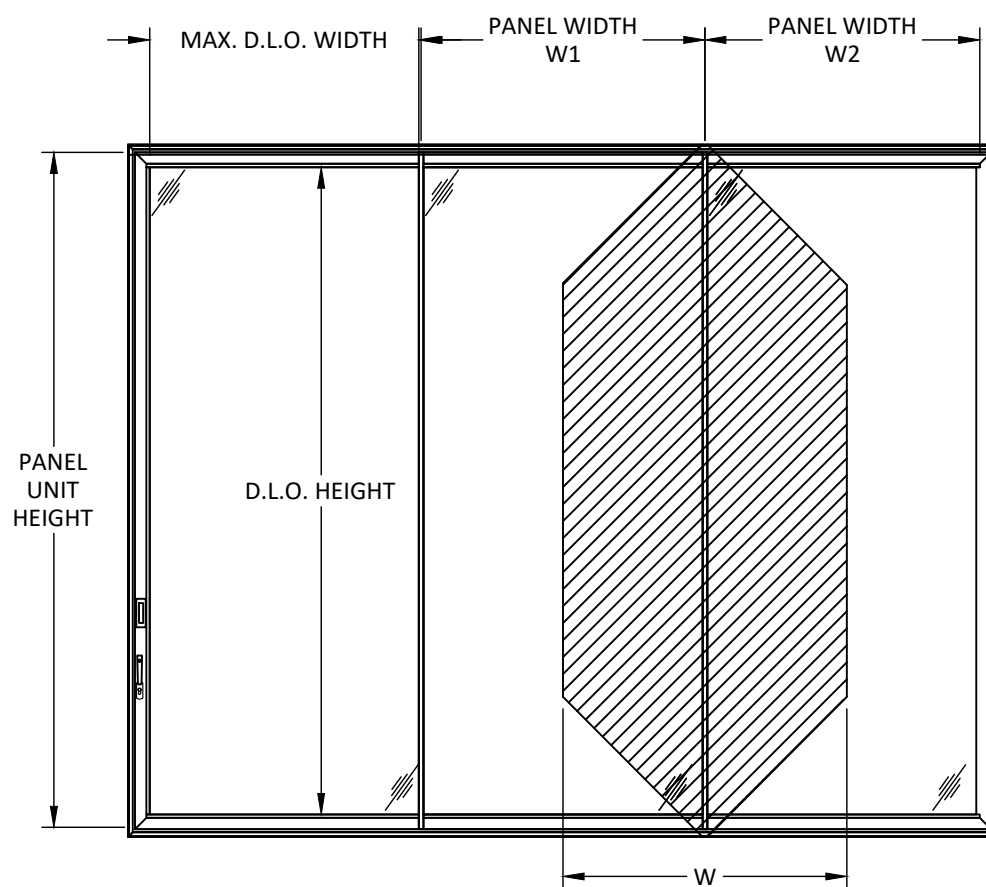


z:\projects\euro-wall systems\fbc-23-0818 - fbc submittal - fbc submittal - ew holdings of florida llc name change\dwg\fb4003\ews017.dwg 10/19/2023 1:06 PM



TRIBUTARY WIDTH(W) = (W1+W2)/2

- APPROVED CONFIGURATIONS:
 2 PANEL - OX, XO, XX
 3 PANEL - OOX, XOO, XOX, OXO, XXO, OXX, XXX
 4 PANEL - OXXO, OXXX, XXXO, XXOO, XOOX, OOOX, XXXX
 5 PANEL - XXOOO, OOOXX, XXXXX, OXXXX, XXXXO
 6 PANEL - OXXXXO, OXXXXP, XXXXXX, XXXOOO, OOOXXX, OOOXOO, XOOOXX, XXXXO, OXXXX, XXXXX
 7 PANEL - XXXXXXX, OXXXXXX, XXXXXO, OXXXXO
 8 PANEL - OXXXXXXO, OXXXXXX, XXXXXO, XXXXXXX

- POCKETS ARE QUALIFIED ON ANY CONFIGURATION.
- POCKETS ARE QUALIFIED FOR INSTALLATION ON EITHER SIDE OF THE SYSTEM. POCKETS ARE QUALIFIED TO BE USED ON BOTH SIDE AT THE SAME TIME.

NOTE
 1) MAXIMUM FRAME AREA = 628 SQUARE FEET.
 2) MAXIMUM OF 4 PANEL CONNECTED TO CORNER UNIT ON EACH SIDE.

DESIGN PRESSURE TABLE (+/- PSF)

		TRIBUTARY WIDTH (INCHES)															
		45	48	51	54	57	60	63	66	69	72	75	78	81	84		
PANEL HEIGHT (INCHES)	90	120.0	120.0	120.0	120.0	120.0	120.0	120.0	120.0	120.0	120.0	120.0	120.0	120.0	119.0		
	96	120.0	120.0	120.0	120.0	120.0	120.0	120.0	120.0	120.0	120.0	120.0	108.0	107.0	106.0		
	102	120.0	120.0	120.0	120.0	120.0	120.0	120.0	120.0	120.0	120.0	101.0	99.0	98.0	95.0		
	108	120.0	120.0	120.0	120.0	120.0	120.0	120.0	120.0	120.0	95.0	93.0	91.0	89.0			
	114	120.0	120.0	120.0	120.0	120.0	120.0	120.0	120.0	89.6	87.3	85.3	83.5				
	120	120.0	120.0	120.0	120.0	120.0	120.0	85.9	83.4	81.2	79.2						
	126	120.0	120.0	117.6	112.0	107.1	83.1	80.4	78.0								
	132	113.7	107.3	101.7	96.8	81.2	78.2	75.6									
	138	99.1	93.5	88.5	79.9	76.7	73.9										
	144	87.6	83.1	79.2	75.8	72.7	70.0										
	150	79.8	75.2	71.1	67.6	64.4											
	156	70.7	66.6	63.0	59.8												
	162	63.0	59.3	56.1													
168	56.4	53.1	50.2														

EURO-WALL, LLC
 P.O. BOX 8007
 NORTH PORT, FL 34290
 PH: 888-989-3876

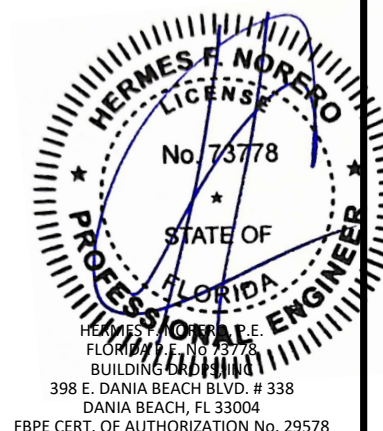
TITLE: MS MULTI-SLIDE SYSTEM (WZ3) (IMPACT)
 DESIGN PRESSURE TABLES

PREPARED BY:
BUILDING DROPS, INC.
 398 E. DANIA BEACH BLVD., STE. 338
 DANIA BEACH, FL 33004
 PH: (954)399-8478
 FAX: (954)744-4738
 WEB: www.buildingdrops.com



REMARKS	BY	DATE
INSIDE CORNER UPDT.	LL	01/22
ADD-ON TRACK UPDT	LL	05/22
CORNER UNIT UPDATE	LL	08/22
MISC. UPDATE	OL	06/23

THE INSTALLATION DETAILS DESCRIBED HEREIN ARE GENERIC AND MAY NOT REFLECT ACTUAL CONDITIONS FOR A SPECIFIC SITE. IF SITE CONDITIONS CAUSE INSTALLATION TO DEVIATE FROM THE REQUIREMENTS DETAILED HEREIN, A LICENSED ENGINEER OR ARCHITECT SHALL PREPARE SITE SPECIFIC DOCUMENTS FOR USE WITH THIS DOCUMENT.



FL #: **FL34003**

DATE: **11.19.20**

DWG. BY: **YC** CHK. BY: **HFN**

SCALE: **NTS**

DWG. #: **EWS017**

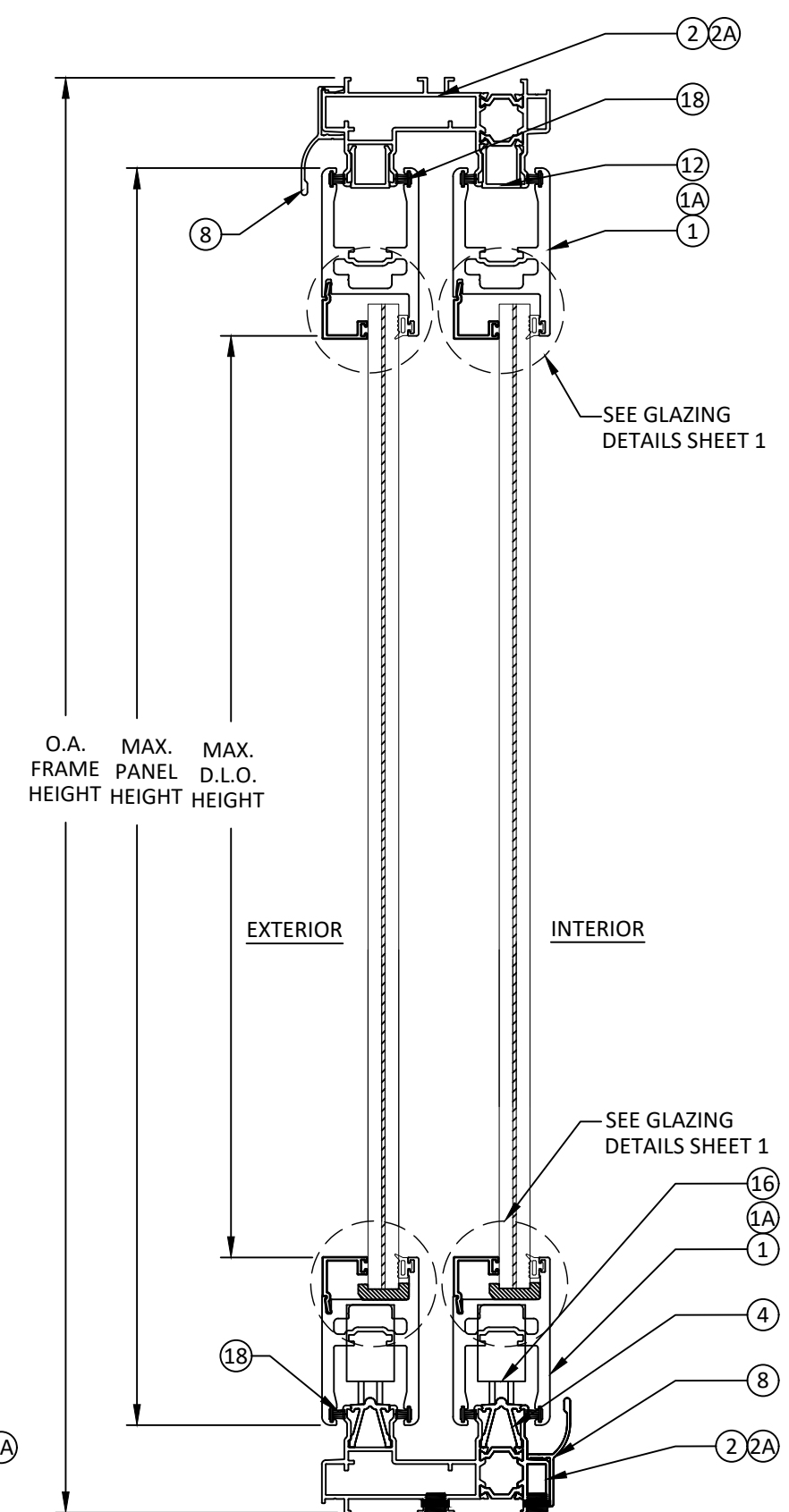
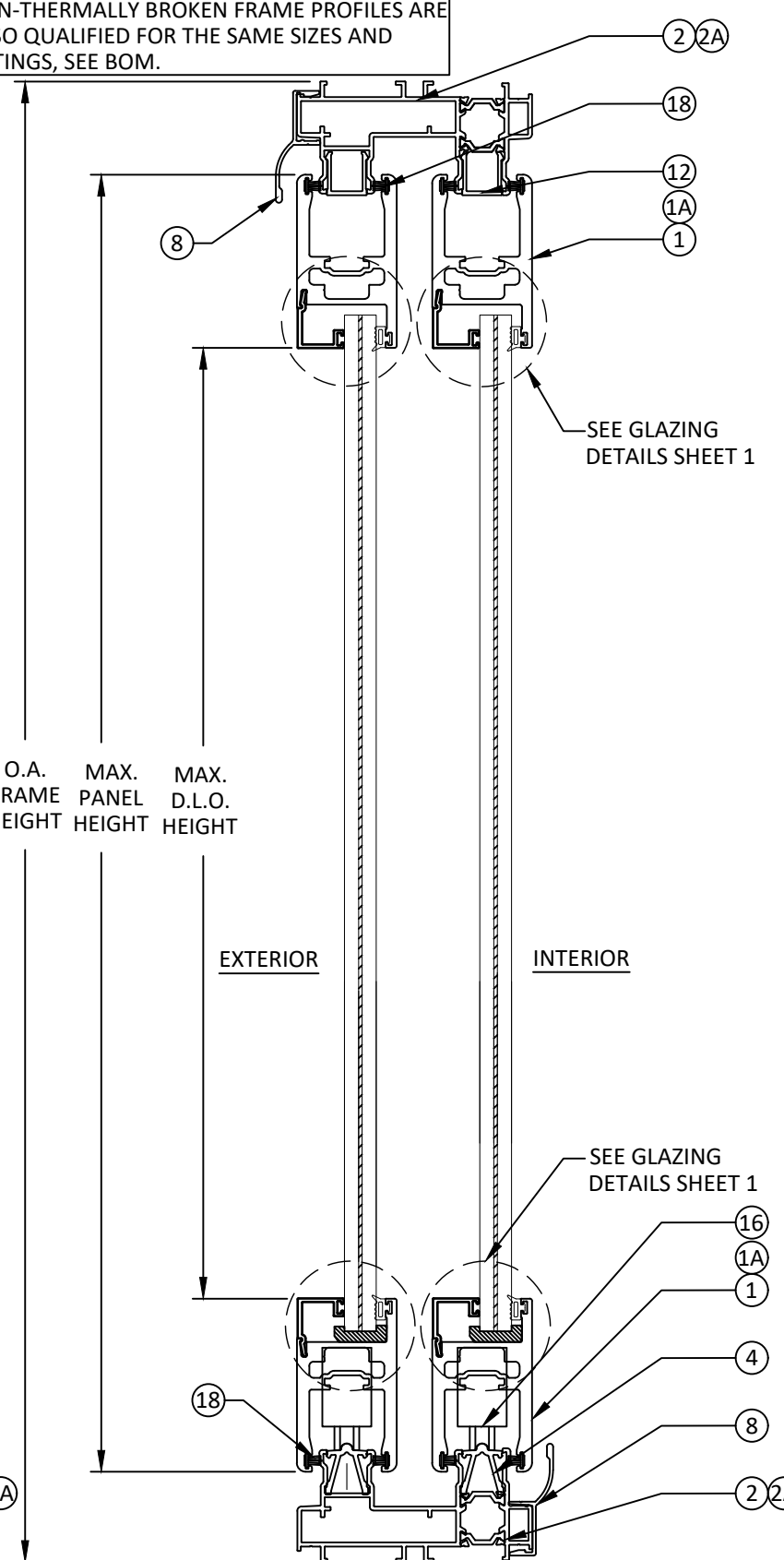
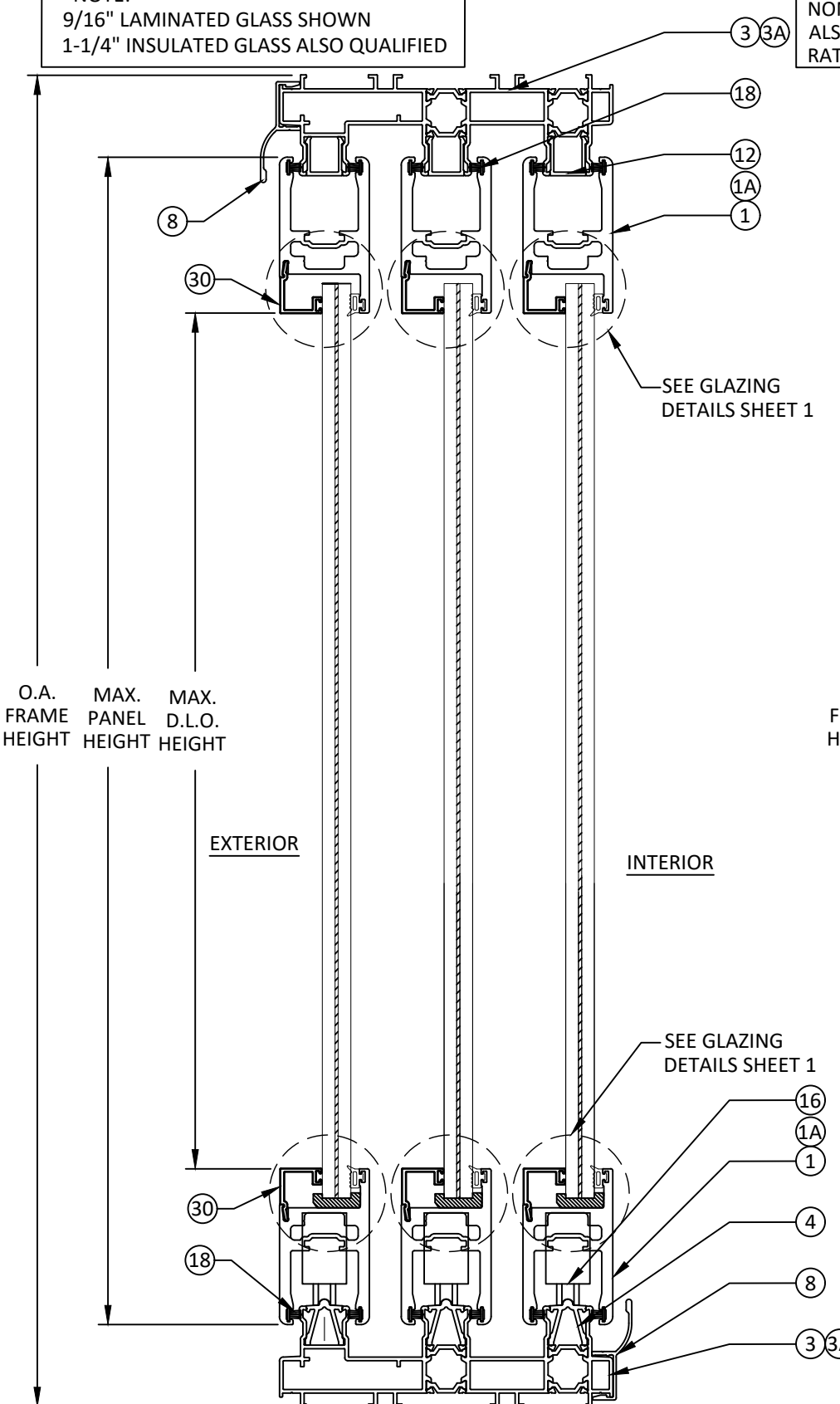
SHEET:

4

10/19/2023 1:06 PM
z:\projects\euro-wall systems\fb-23-0818 - fbc submittal - fbc submittal - ew holdings of florida llc name change\dwg\fb34003\ews017.dwg

***NOTE:**
9/16" LAMINATED GLASS SHOWN
1-1/4" INSULATED GLASS ALSO QUALIFIED

TERNALLY BROKEN FRAME PROFILES SHOWN,
NON-THERMALLY BROKEN FRAME PROFILES ARE
ALSO QUALIFIED FOR THE SAME SIZES AND
RATINGS, SEE BOM.



A
5 VERTICAL SECTION
SLIDING GLASS DOOR
3 TRACKS

B
5 VERTICAL SECTION
SLIDING GLASS DOOR
2 TRACK

C
5 VERTICAL SECTION
SLIDING GLASS DOOR
OPTIONAL SUNKEN SILL
2 TRACKS SHOWN, 3 TRACKS QUALIFIED

euro-wall
SUPERIOR BY DESIGN

EURO-WALL, LLC
P.O. BOX 8007
NORTH PORT, FL 34290
PH: 888-989-3876

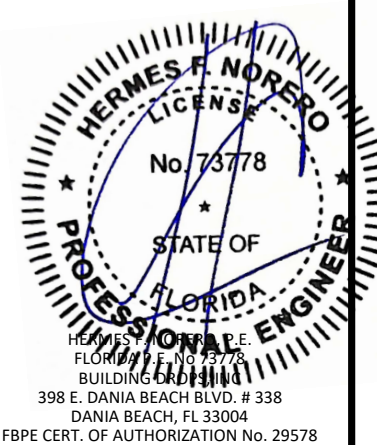
TITLE: MS MULTI-SLIDE SYSTEM
(WZ3) (IMPACT)
VERTICAL SECTIONS

PREPARED BY:
BUILDING DROPS, INC.
398 E. DANIA BEACH BLVD., STE. 338
DANIA BEACH, FL 33004
PH: (954)399-8478
FAX: (954)744-4738
WEB: www.buildingdrops.com



REMARKS	BY	DATE
INSIDE CORNER UPDT.	LL	01/22
ADD-ON TRACK UPDT	LL	05/22
CORNER UNIT UPDATE	LL	08/22
MISC. UPDATE	OL	06/23

THE INSTALLATION DETAILS DESCRIBED HEREIN ARE GENERIC AND MAY NOT REFLECT ACTUAL CONDITIONS FOR A SPECIFIC SITE. IF SITE CONDITIONS CAUSE INSTALLATION TO DEVIATE FROM THE REQUIREMENTS DETAILED HEREIN, A LICENSED ENGINEER OR ARCHITECT SHALL PREPARE SITE SPECIFIC DOCUMENTS FOR USE WITH THIS DOCUMENT.



FL #: **FL34003**

DATE: **11.19.20**

DWG. BY: **YC** | CHK. BY: **HFN**

SCALE: **NTS**

DWG. #: **EWS017**

SHEET: **5**

10/19/2023 1:06 PM
 z:\projects\euro-wall systems\fbc-23-0818 - fbc submittal - ew holdings of florida llc name change\dwgs\fbc4003\ews017.dwg

TITLE: MS MULTI-SLIDE SYSTEM
 (WZ3) (IMPACT)

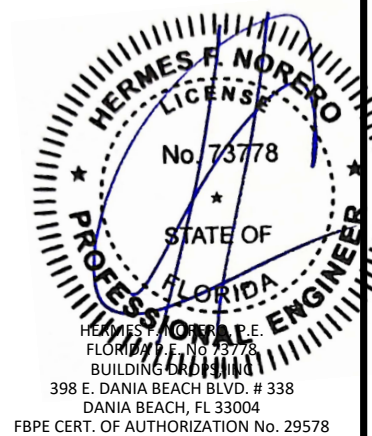
HORIZONTAL SECTIONS

PREPARED BY:
BUILDING DROPS, INC.
 398 E. DANIA BEACH BLVD., STE. 338
 DANIA BEACH, FL 33004
 PH: (954)399-8478
 FAX: (954)744-4738
 WEB: www.buildingdrops.com



REMARKS	BY	DATE
INSIDE CORNER UPDT.	LL	01/22
ADD-ON TRACK UPDT	LL	05/22
CORNER UNIT UPDATE	LL	08/22
MISC. UPDATE	OL	06/23

THE INSTALLATION DETAILS DESCRIBED HEREIN ARE GENERIC AND MAY NOT REFLECT ACTUAL CONDITIONS FOR A SPECIFIC SITE. IF SITE CONDITIONS CAUSE INSTALLATION TO DEVIATE FROM THE REQUIREMENTS DETAILED HEREIN, A LICENSED ENGINEER OR ARCHITECT SHALL PREPARE SITE SPECIFIC DOCUMENTS FOR USE WITH THIS DOCUMENT.



FL #: **FL34003**

DATE: **11.19.20**

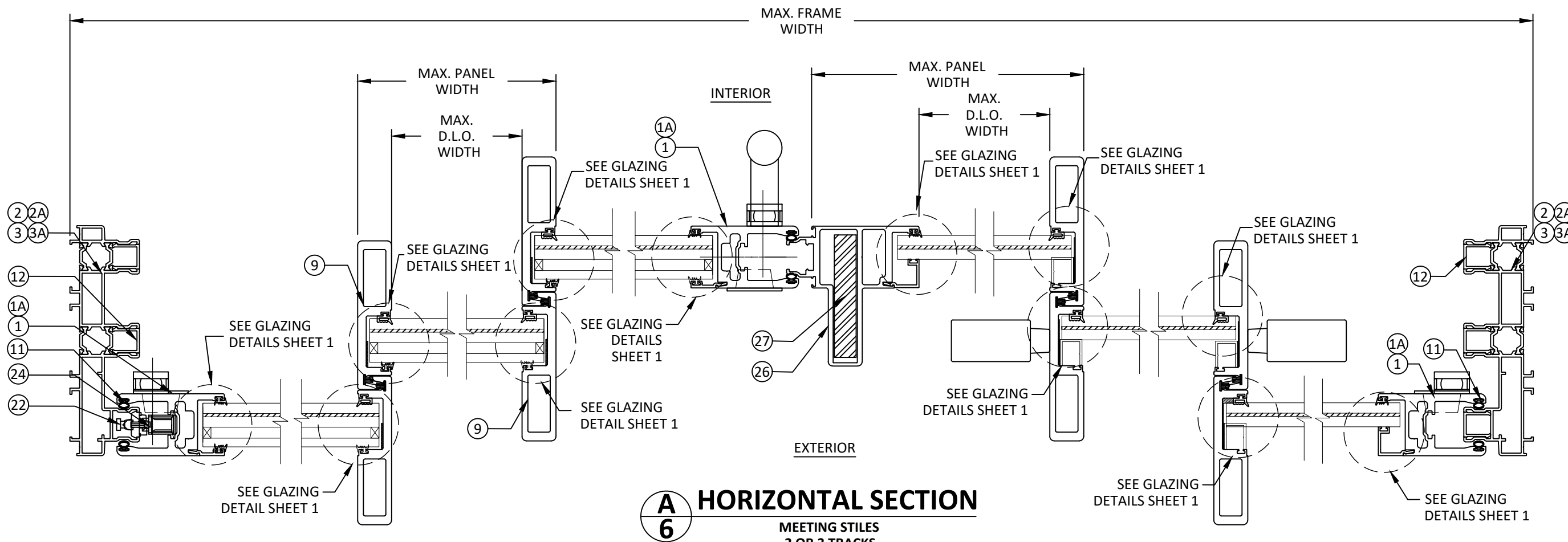
DWG. BY: **YC** | CHK. BY: **HFN**

SCALE: **NTS**

DWG. #: **EWS017**

SHEET:

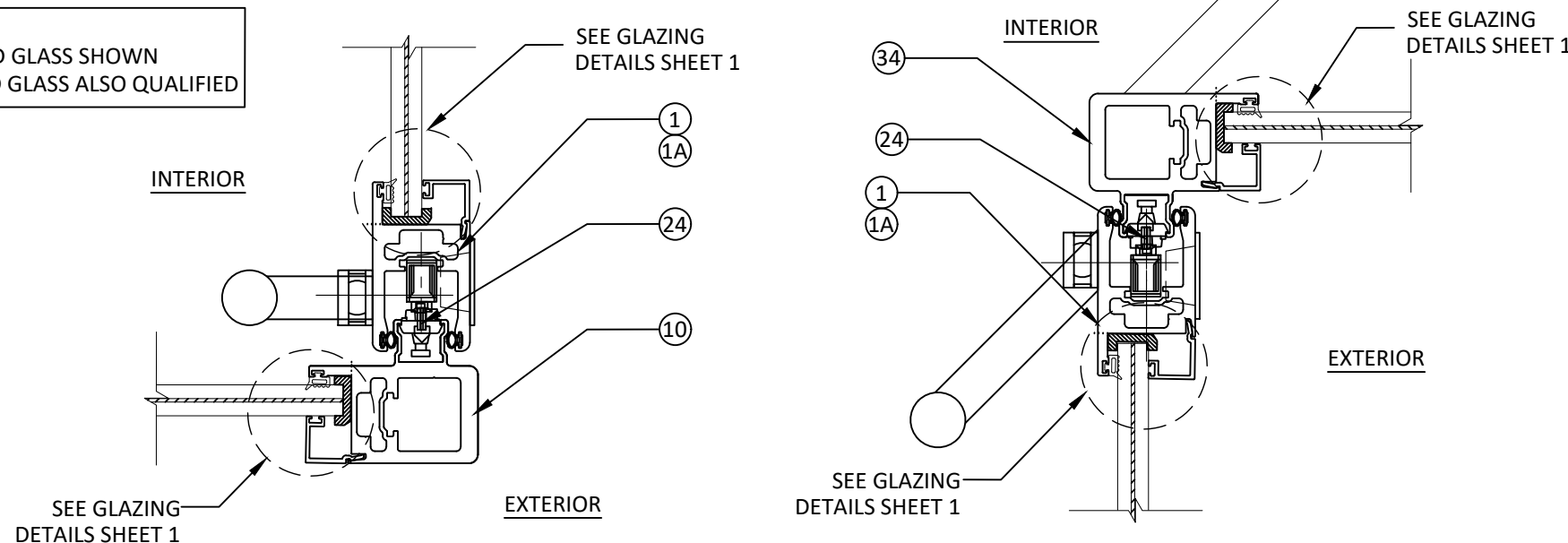
6



A HORIZONTAL SECTION
6 MEETING STILES
 2 OR 3 TRACKS

TERNALLY BROKEN FRAME PROFILES SHOWN,
 NON-THERMALLY BROKEN FRAME PROFILES ARE ALSO
 QUALIFIED FOR THE SAME SIZES AND RATINGS, SEE BOM.

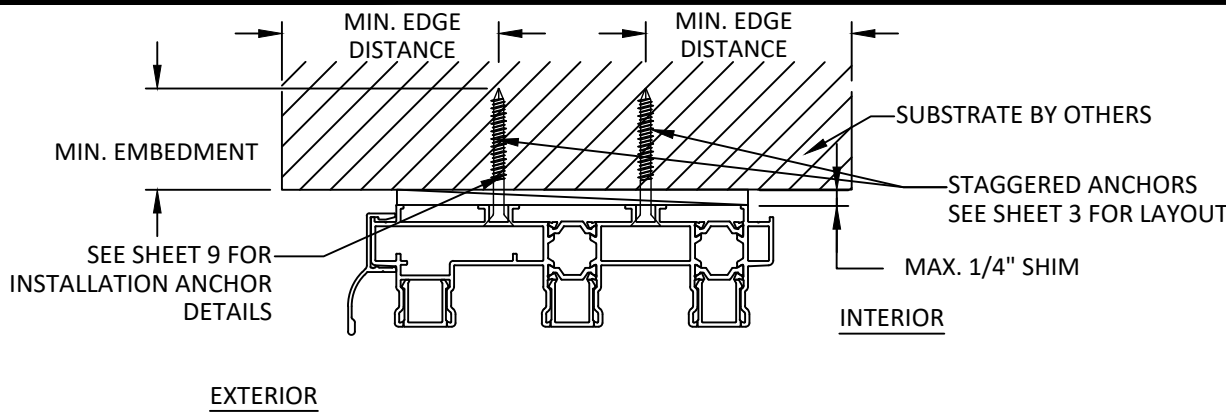
*NOTE:
 9/16" LAMINATED GLASS SHOWN
 1 1/4" INSULATED GLASS ALSO QUALIFIED



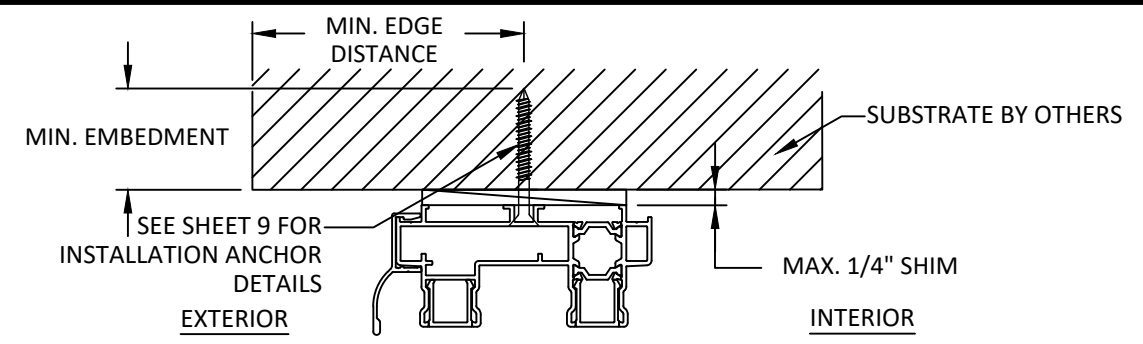
B HORIZONTAL SECTION
6 OUTSIDE CORNER DETAIL

C HORIZONTAL SECTION
6 INSIDE CORNER DETAIL

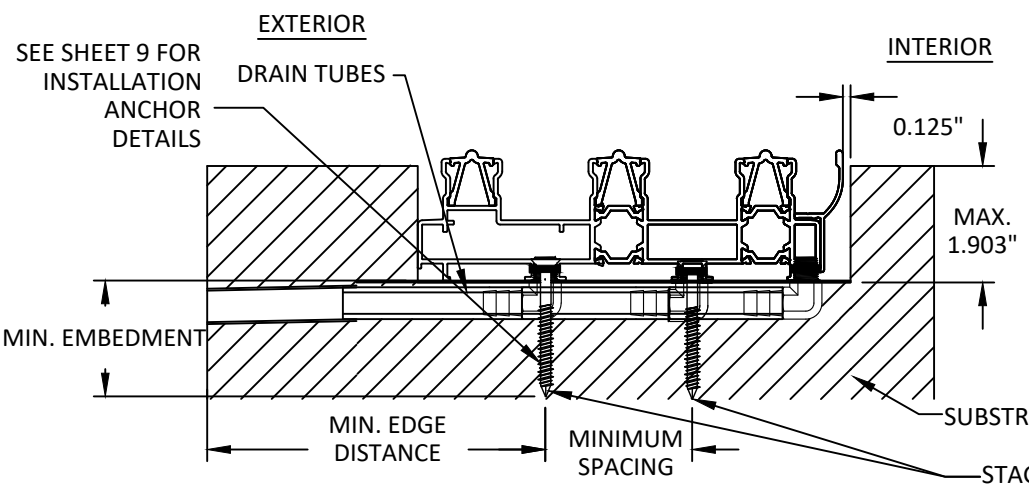
10/19/2023 1:06 PM
 z:\projects\euro-wall systems\fb-23-0818 - fbc submittal - ew holdings of florida llc name change\dwgs\fb34003\ews017.dwg



A
8 ANCHOR DETAIL
 THROUGH FRAME INSTALLATION (HEAD)
 3 TRACKS



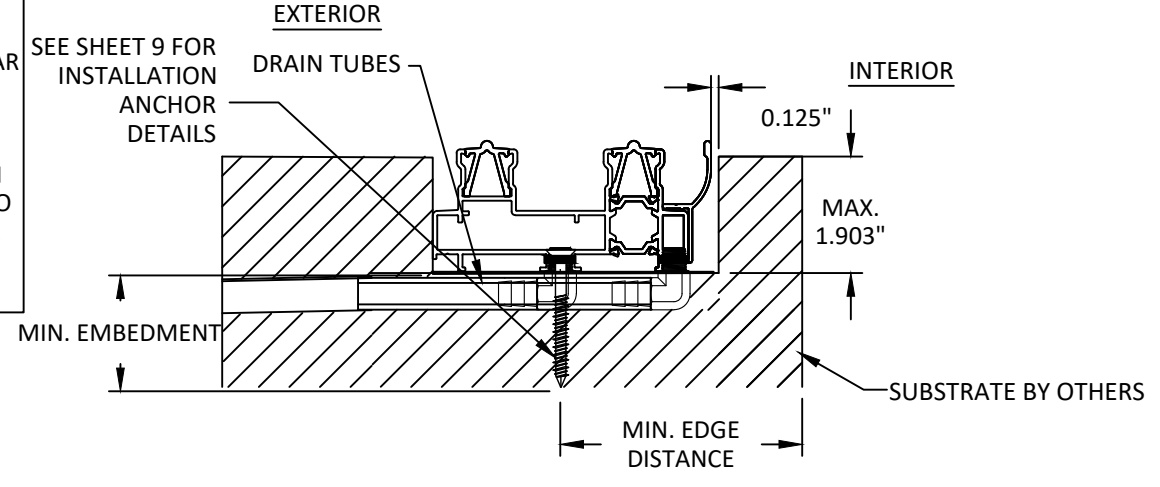
B
8 ANCHOR DETAIL
 THROUGH FRAME INSTALLATION (HEAD)
 2 TRACKS



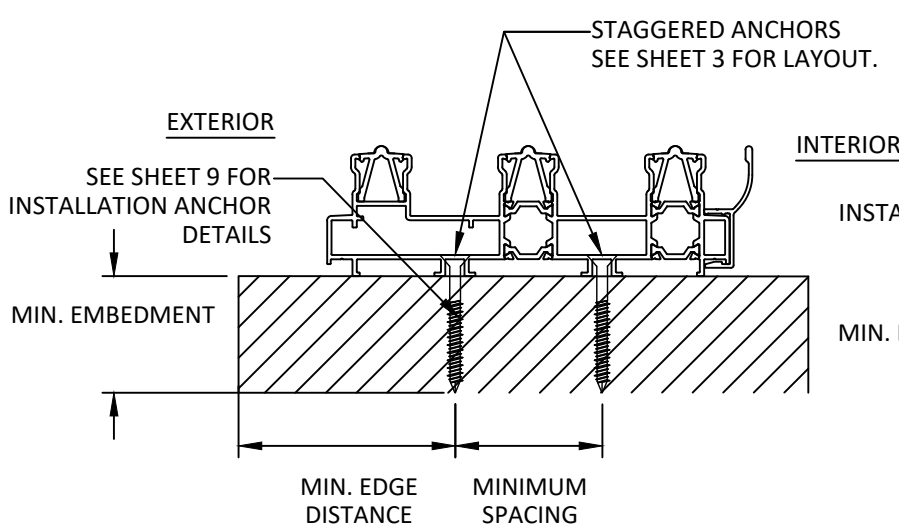
C
8 VERTICAL SECTION
 THROUGH FRAME INSTALLATION (SILL)
 OPTIONAL SUNKEN 3-TRACK INSTALLATION

NOTE:

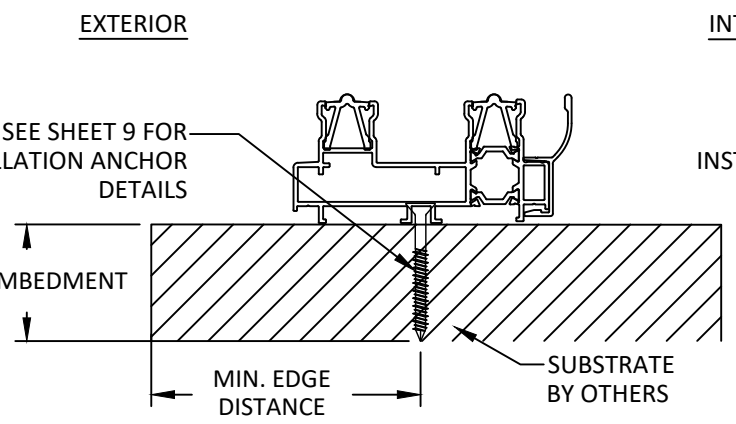
- 2 AND 3 TRACK FRAME INSTALLATION SHOWN, 4 AND 5 TRACK INST. SIMILAR
- THERMALLY BROKEN FRAME PROFILES SHOWN, NON-THERMALLY BROKEN FRAME PROFILES ARE ALSO QUALIFIED FOR THE SAME SIZES AND RATINGS, SEE BOM.



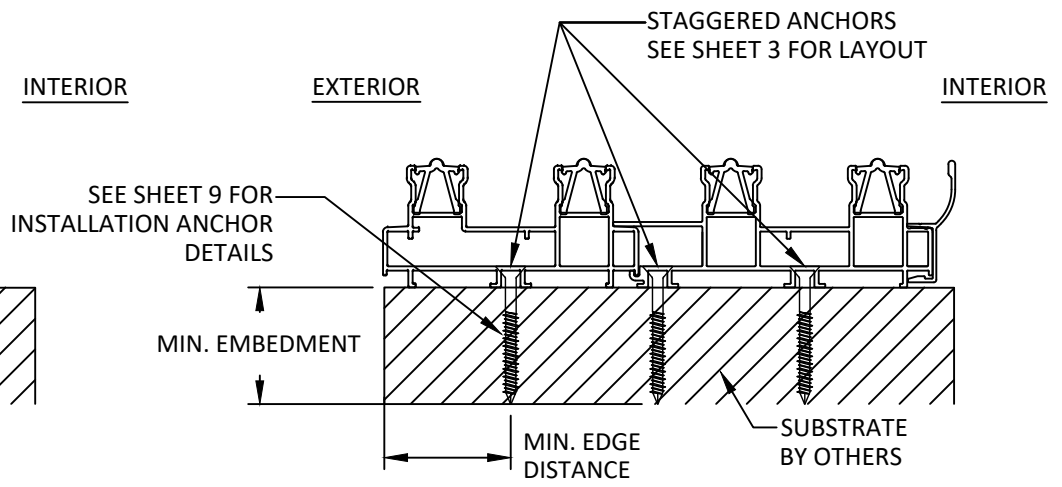
D
8 ANCHOR DETAIL
 THROUGH FRAME INSTALLATION (SILL)
 OPTIONAL SUNKEN 2-TRACK INSTALLATION



E
8 ANCHOR DETAIL
 THROUGH FRAME INSTALLATION (SILL)
 3 TRACKS



F
8 ANCHOR DETAIL
 THROUGH FRAME INSTALLATION (SILL)
 2 TRACKS



G
8 ANCHOR DETAIL
 THROUGH FRAME INSTALLATION (SILL)
 3 TRACKS WITH EXTENSION



EURO-WALL, LLC
 P.O. BOX 8007
 NORTH PORT, FL 34290
 PH: 888-989-3876

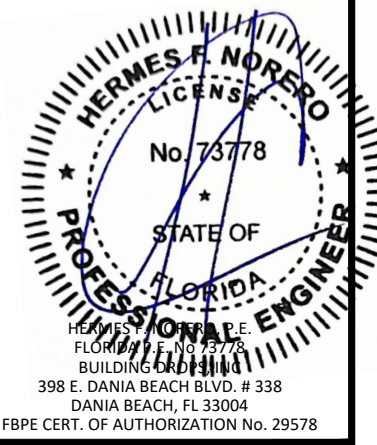
TITLE: MS MULTI-SLIDE SYSTEM (WZ3) (IMPACT)
 ANCHOR DETAILS

PREPARED BY:
BUILDING DROPS, INC.
 398 E. DANIA BEACH BLVD., STE. 338
 DANIA BEACH, FL 33004
 PH: (954)399-8478
 FAX: (954)744-4738
 WEB: www.buildingdrops.com



REMARKS	BY	DATE
INSIDE CORNER UPDT.	LL	01/22
ADD-ON TRACK UPDT	LL	05/22
CORNER UNIT UPDATE	LL	08/22
MISC. UPDATE	OL	06/23

THE INSTALLATION DETAILS DESCRIBED HEREIN ARE GENERIC AND MAY NOT REFLECT ACTUAL CONDITIONS FOR A SPECIFIC SITE. IF SITE CONDITIONS CAUSE INSTALLATION TO DEVIATE FROM THE REQUIREMENTS DETAILED HEREIN, A LICENSED ENGINEER OR ARCHITECT SHALL PREPARE SITE SPECIFIC DOCUMENTS FOR USE WITH THIS DOCUMENT.



FL #: **FL34003**

DATE: **11.19.20**

DWG. BY: **YC** CHK. BY: **HFN**

SCALE: **NTS**

DWG. #: **EWS017**

SHEET: **8**

10/19/2023 1:06 PM
z:\projects\eurowall systems\fb-23-0818 - fbc submittal - fbc submittal - ew holdings of florida llc name change.dwg (f34003)ews017.dwg

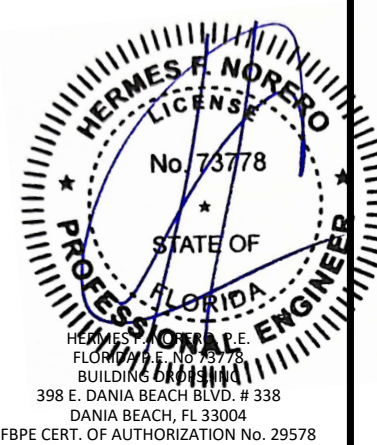
TITLE: MS MULTI-SLIDE SYSTEM (WZ3) (IMPACT)
INSTALLATION NOTES & ANCHOR SCHEDULE

PREPARED BY:
BUILDING DROPS, INC.
398 E. DANIA BEACH BLVD., STE. 338
DANIA BEACH, FL 33004
PH: (954)399-8478
FAX: (954)744-4738
WEB: www.buildingdrops.com



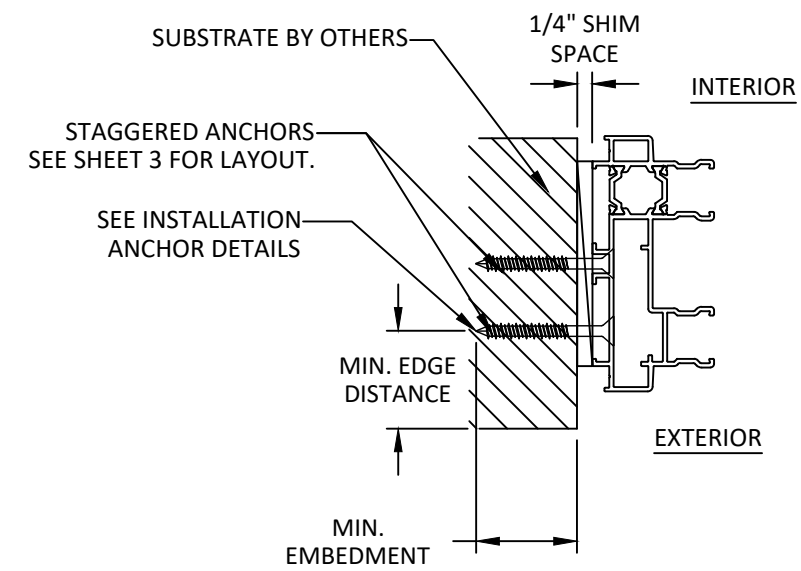
REMARKS	BY	DATE
INSIDE CORNER UPDT.	LL	01/22
ADD-ON TRACK UPDT	LL	05/22
CORNER UNIT UPDATE	LL	08/22
MISC. UPDATE	OL	06/23

THE INSTALLATION DETAILS DESCRIBED HEREIN ARE GENERIC AND MAY NOT REFLECT ACTUAL CONDITIONS FOR A SPECIFIC SITE. IF SITE CONDITIONS CAUSE INSTALLATION TO DEVIATE FROM THE REQUIREMENTS DETAILED HEREIN, A LICENSED ENGINEER OR ARCHITECT SHALL PREPARE SITE SPECIFIC DOCUMENTS FOR USE WITH THIS DOCUMENT.

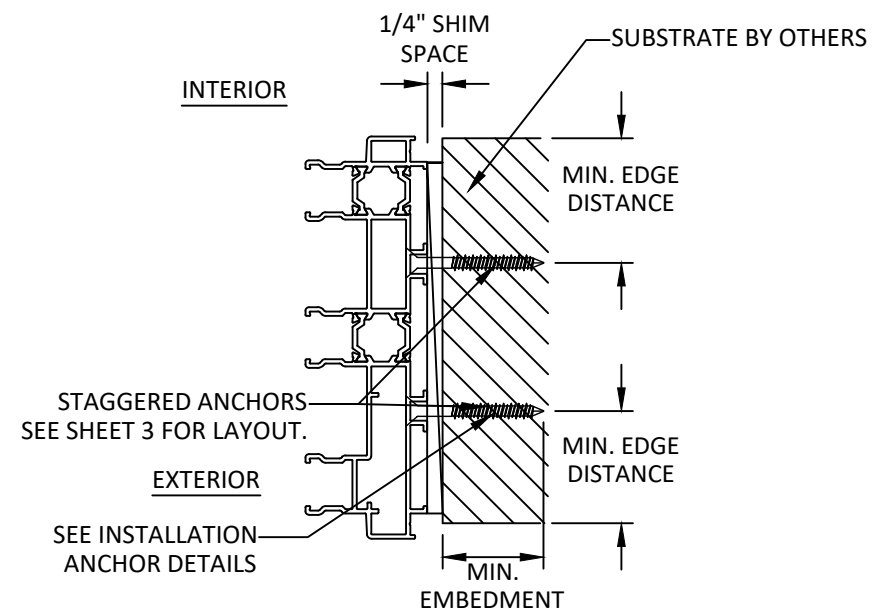


FL #: **FL34003**
DATE: **11.19.20**
DWG. BY: **YC** | CHK. BY: **HFN**
SCALE: **NTS**
DWG. #: **EWS017**

SHEET: **9**
OF 11



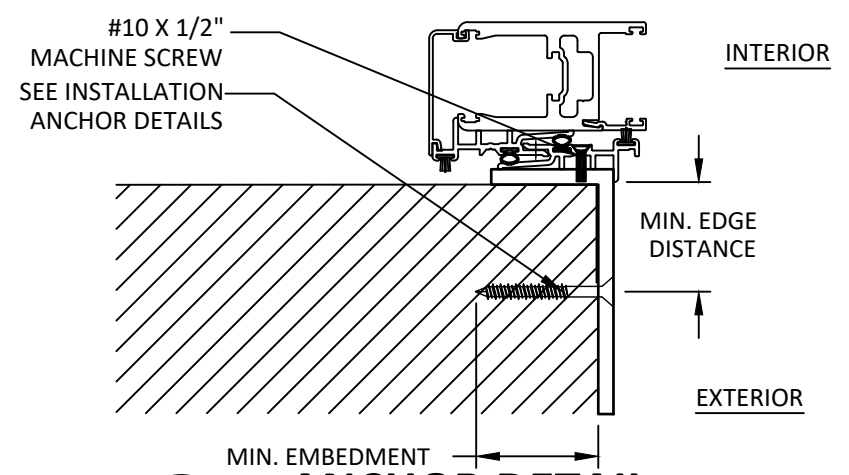
A
9 **ANCHOR DETAIL**
THROUGH FRAME (JAMB)
2 TRACK



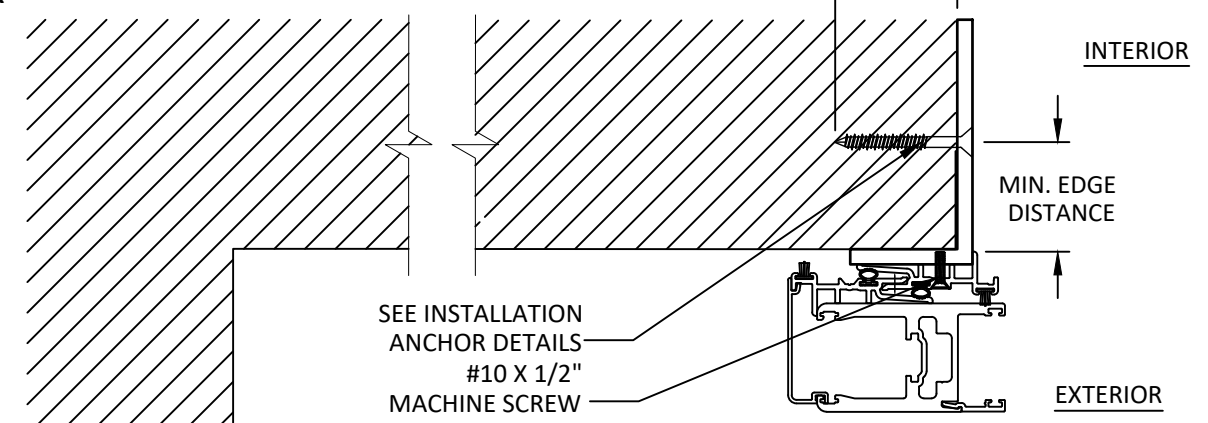
B
9 **ANCHOR DETAIL**
THROUGH FRAME (JAMB)
3 TRACK

THERMALLY BROKEN FRAME PROFILES SHOWN, NON-THERMALLY BROKEN FRAME PROFILES ARE ALSO QUALIFIED FOR THE SAME SIZES AND RATINGS, SEE BOM.

ANCHOR FOR WALL BRACKET AND FROM HOOK STRIP TO BRACKET TO BE LOCATED AT A MAXIMUM OF 4" FROM THE CORNER AND MAXIMUM OF 12" O.C. SPACING



C
9 **ANCHOR DETAIL**
INSIDE POCKET BRACKET INSTALLATION



D
9 **ANCHOR DETAIL**
OUTSIDE POCKET BRACKET INSTALLATION

NOTE: OUTSIDE POCKET CONDITION SHALL BE OPEN TO THE EXTERIOR. OUTSIDE POCKET SHALL NOT BE ENCLOSED. POCKET CONSTRUCTION DETAILS BY OTHERS.

INSTALLATION NOTES:

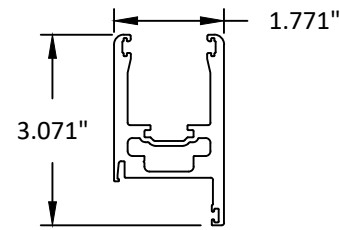
- ONE (1) INSTALLATION ANCHOR IS REQUIRED AT EACH ANCHOR LOCATION SHOWN UNLESS SPECIFIED IN THE ANCHOR SCHEDULE. TWO (2) INSTALLATION ANCHORS AT THE JAMBS.
- THE NUMBER OF INSTALLATION ANCHORS DEPICTED IS THE MINIMUM NUMBER OF ANCHORS TO BE USED FOR PRODUCT INSTALLATION OF THE MAXIMUM SIZE LISTED.
- INSTALL INDIVIDUAL INSTALLATION ANCHORS WITHIN A TOLERANCE OF ±1/2 INCH THE DEPICTED LOCATION & SPACING IN THE ANCHOR LAYOUT DETAILS (I.E., WITHOUT CONSIDERATION OF TOLERANCES). TOLERANCES ARE NOT CUMULATIVE FROM ONE INSTALLATION ANCHOR TO THE NEXT.
- SHIM AS REQUIRED AT EACH INSTALLATION ANCHOR WITH LOAD BEARING SHIM(S). MAXIMUM ALLOWABLE SHIM STACK TO BE 1/4 INCH. SHIM WHERE SPACE OF 1/16 INCH OR GREATER OCCURS. SHIM(S) SHALL BE CONSTRUCTED OF HIGH DENSITY PLASTIC OR BETTER.
- FOR MASONRY OR CONCRETE OPENINGS, 1X WOOD BUCK MAY BE USED (OPTIONAL AS LONG AS THE MINIMUM EMBEDMENT AND EDGE DISTANCE REQUIREMENTS ARE STILL MET WITHIN THE CORRESPONDING HOST SUBSTRATE.) SEE GENERAL NOTE #3 ON SHEET 1 FOR MORE INFORMATION.
- MINIMUM EMBEDMENT AND EDGE DISTANCE EXCLUDE WALL FINISHES, INCLUDING BUT NOT LIMITED TO STUCCO, FOAM, BRICK VENEER, AND SIDING.
- INSTALLATION ANCHORS AND ASSOCIATED HARDWARE MUST BE MADE OF CORROSION RESISTANT MATERIAL OR HAVE A CORROSION RESISTANT COATING.
- FOR HOLLOW BLOCK AND GROUT FILLED BLOCK, DO NOT INSTALL INSTALLATION ANCHORS INTO MORTAR JOINTS. EDGE DISTANCE IS MEASURED FROM FREE EDGE OF BLOCK OR EDGE OF MORTAR JOINT INTO FACE SHELL OF BLOCK.
- INSTALLATION ANCHORS SHALL BE INSTALLED IN ACCORDANCE WITH ANCHOR MANUFACTURER'S INSTALLATION INSTRUCTIONS, AND ANCHORS SHALL NOT BE USED IN SUBSTRATES WITH STRENGTHS LESS THAN THE MINIMUM STRENGTH SPECIFIED BY THE ANCHOR MANUFACTURER.

ANCHOR SCHEDULE					
METHOD	SUBSTRATE	ANCHOR SCHEDULE	MIN EMBEDMENT	MIN. EDGE DISTANCE	MIN. SPACING
THROUGH FRAME	WOOD: MIN. SG = 0.55	#14 WOOD SCREW	1.5"	0.75"	2.50"
	METAL: 18 GAUGE STEEL, MIN. Fy = 33KSI	#12 SELF DRILLING OR SELF TAPPING SCREW	3 THREADS MIN PENETRATION BEYOND METAL	0.50"	
	METAL: 1/8" MIN. THICKNESS ALUMINUM MIN. 6063-T5				
	CONCRETE: f'c=3000PSI	1/4" ITW TAPCON	1.25"	2.00"	
	MASONRY: CMU per ASTM C90	1/4" ITW TAPCON	1.25"	2.00"	

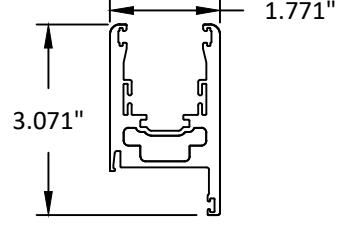
BILL OF MATERIALS

NO	PART #	DESCRIPTION	MATERIAL
1	MS-SASH	SASH RAIL/STILE	6061-T5
1A	MS-SASH	OPTIONAL SASH RAIL/STILE	6061-T5
2	E0117-A	2 TRACK JAMB/HEAD/SILL (THERMAL)	6063-T5/POLYAMIDE
3	E0118-A	3 TRACK JAMB/HEAD/SILL (THERMAL)	6063-T5/POLYAMIDE
2A	E0117-B	2 TRACK JAMB/HEAD/SILL (NON THERMAL)	6063-T5
3A	E0118-B	3 TRACK JAMB/HEAD/SILL (NON THERMAL)	6063-T5
4	MS-SB	SNAP TRACK	6063-T5
5	MS-SC	SASH END CAP	6063-T5
6	MS-DC	DRAIN COVER	POLYIMIDE
7	MS-ILP	POCKET INTERLOCK	6063-T5
8	MS-CON	CONDENSATION ACC	6063-T5
9	MS-SI	SASH/STILE INTERLOCK	6063-T5
10	CD-ASTRAGAL	OUTSIDE CORNER DOOR ASTRAGAL SASH/STILE	6063-T5
11	MS-RWS	ROUND WEATHERSTRIP	POLYMER
12	MS-JHT	JAMB/ HEADER TRIM	6063-T5
13	MS-AST	ASTRAGAL	6063-T5
14	MS-GB	GLAZING BEAD	6063-T5
15	MS-RL1	ROLLER 1	KEVLAR/SS/STEEL
16	MS-RL2	ROLLER 2	KEVLAR/SS/STEEL
17	MS-GG	GLAZING GASKET	EPDM
18	MS-TWS	T-SLOT SWEEP	POLYMER
21	MS-REDUCER	REDUCER BAR	6063-T5
22	MS-PAWL-CAT	SMALL PAWL CATCHER	S/S STEEL
23	MS-LOCK	LOCKING LEVER (DEBAR)	STEEL
24	MS-PAWL	PAWL	S/S STEEL
25	CD AST BAR	9/16" GLAZING GASKET	EPDM
26	E0094-E	MS 1 PIECE ASTRAGAL	6063-T5
27	E0097-A	STEEL BAR .625"x 3.5"	STEEL
28	-	ASTRAGAL REINFORCEMENT	STEEL
29	-	LARGE PAWL CATCHER	STEEL
30	E0093-A	MS 9-16 BEAD	6063-T5
31	E0119-A	4 TRACK JAMB/HEAD/SILL (THERMAL)	6063-T5/POLYAMIDE
32	E0120-A	5 TRACK JAMB/HEAD/SILL (THERMAL)	6063-T5/POLYAMIDE
33	E0167-A	2 TRACK JAMB/HEAD/SILL (ADD-ON)	6063-T5
34	CD-ASTRAGAL	INSIDE CORNER DOOR ASTRAGAL SASH/STILE	6063-T5

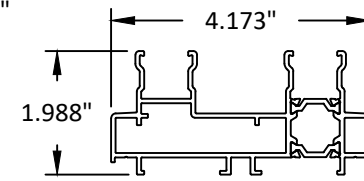
1 SASH RAIL/STILE
6061-T5



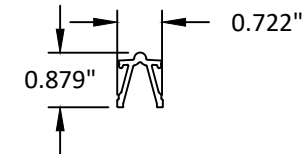
1A OPTIONAL SASH RAIL/STILE
6061-T5



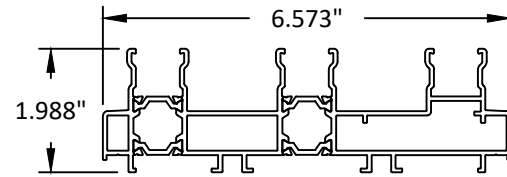
2 2 TRACK JAMB/HEAD/SILL
6063-T5/POLYAMIDE



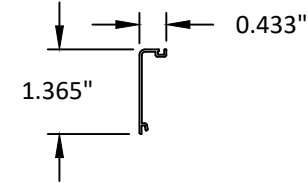
4 SNAP TRACK
6063-T5



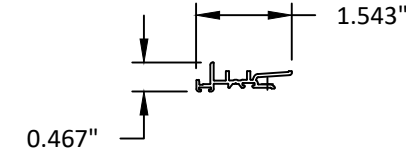
3 3 TRACK JAMB/HEAD/SILL
6063-T5/POLYAMIDE



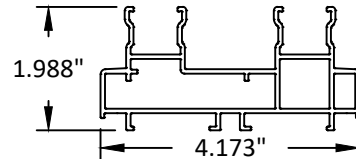
5 SASH END CAP
6063-T5



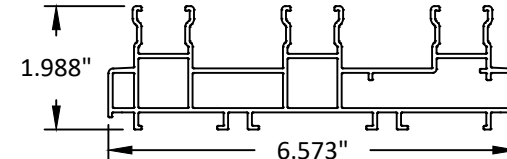
7 POCKET INTERLOCK
6063-T5



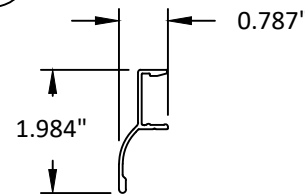
2A 2 TRACK JAMB/HEAD/SILL
6063-T5



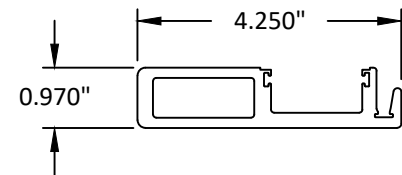
3A 3 TRACK JAMB/HEAD/SILL
6063-T5



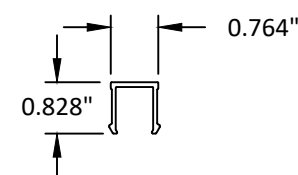
8 CONDENSATION ACC
6063-T5



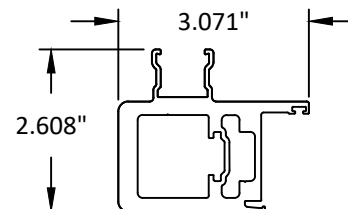
9 SASH/STILE INTERLOCK
6063-T5



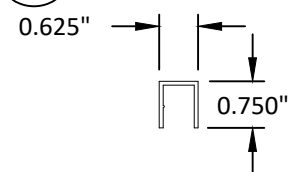
12 JAMB/HEADER TRIM
6063-T5



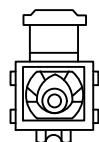
10 OUTSIDE CORNER ASTRAGAL STILE/SASH
6063-T5



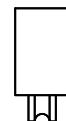
14 MS-REDUCER
6063-T5



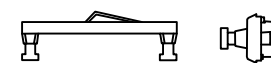
15 ROLLER 1
KEVLAR/STEEL



16 ROLLER 2
KEVLAR/STEEL



22 PAWL CATCHER
S/S STEEL



23 LOCKING LEVER
STEEL



euro-wall
SUPERIOR BY DESIGN

EURO-WALL, LLC
P.O. BOX 8007
NORTH PORT, FL 34290
PH: 888-989-3876

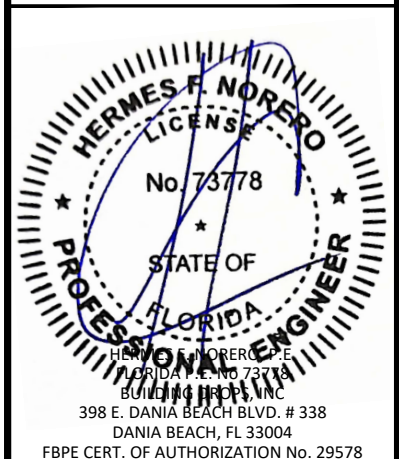
TITLE: MS MULTI-SLIDE SYSTEM (W23) (IMPACT)
BILL OF MATERIALS & COMPONENTS

PREPARED BY:
BUILDING DROPS, INC.
398 E. DANIA BEACH BLVD., STE. 338
DANIA BEACH, FL 33004
PH: (954) 399-8478
FAX: (954) 744-4738
WEB: www.buildingdrops.com



REMARKS	BY	DATE
INSIDE CORNER UPDT.	LL	01/22
ADD-ON TRACK UPDT	LL	05/22
CORNER UNIT UPDATE	LL	08/22
MISC. UPDATE	OL	06/23

THE INSTALLATION DETAILS DESCRIBED HEREIN ARE GENERIC AND MAY NOT REFLECT ACTUAL CONDITIONS FOR A SPECIFIC SITE. IF SITE CONDITIONS CAUSE INSTALLATION TO DEVIATE FROM THE REQUIREMENTS DETAILED HEREIN, A LICENSED ENGINEER OR ARCHITECT SHALL PREPARE SITE SPECIFIC DOCUMENTS FOR USE WITH THIS DOCUMENT.



FL #:
FL34003

DATE: **11.19.20**

DWG. BY: **YC** | CHK. BY: **HFN**

SCALE: **NTS**

DWG. #: **EWS017**

SHEET:

10

OF 11

